

PC Card Interface Instruction Manual

RealTimeEvaluator

CONTENTS

- 1. INTRODUCTION 2
- 2. BASIC SPECIFICATION..... 2
 - Target models 2
 - Required hardware resources 2
 - Current drain 2
 - Card support software..... 2
 - Handling precautions..... 2
- 3. PC CARD CONNECTION 3

1. INTRODUCTION

This product is supposed to come with the following items. Make sure that you have received all these items.

1. PC card : One each
2. PC card interface cable : One each
3. Instruction manual (this manual) : One each

2. BASIC SPECIFICATION

Target models

This product targets a DOS/V machine and PC-98 having a PC card slot. The product is a Type-II card specified in PCMCIA Ver2.1 and JEIDA Ver4.2.

Required hardware resources

I/O address : Any 8 bytes on an 8-byte boundary
Interrupt : Not used

Current drain

PC card current drain: Typically 80 mA

Card support software

The socket service or card service software complying with PCMCIA Ver2.1 (or higher) or JEIDA Ver4.2 (or higher) has been installed.

Handling precautions

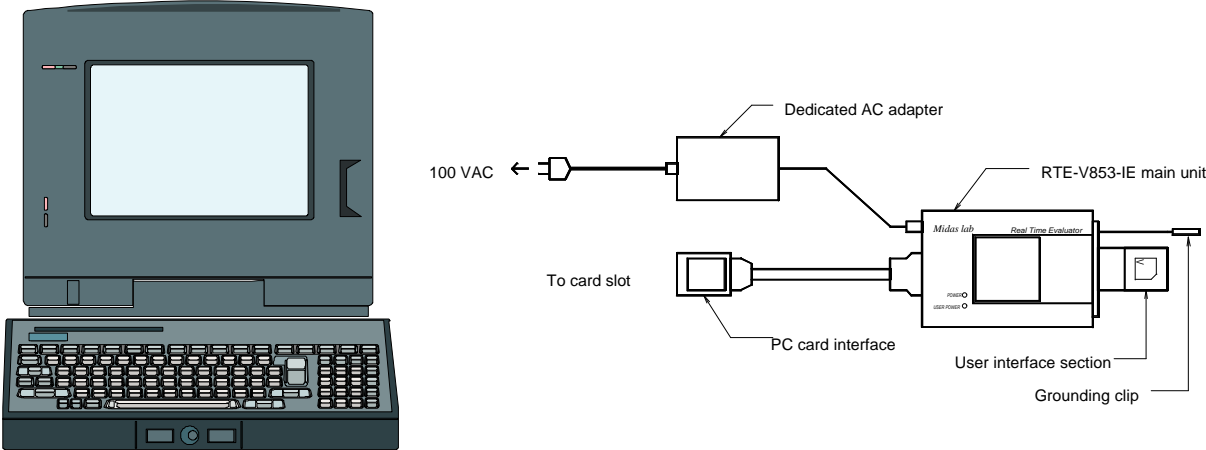
- ✓ Do not place heavy stuff on the PC card or apply pressure to it.
- ✓ Do not drop the PC card. Do not apply vibration or shocks to it.
- ✓ When detaching the cable connector or PC card, do not pull the cable.
- ✓ Avoid using or storing the PC card in a hot, humid, and/or dusty environment. When using or storing the PC card, keep it from direct sunshine.
- ✓ Do not expose the PC card to abrupt changes in environments (such as ambient temperature and humidity).
- ✓ Be careful not to spill drink or water on the PC card and its attachments.
- ✓ Be careful not to connect the PC card to a wrong connector.

3. PC CARD CONNECTION

Connect the PC card according to the procedure below.

- (1) Attach the card-side cable to the PC card. Be careful not to attach the connector upside down. The top surface of the connector is marked a triangle.
- (2) Before inserting the PC card into a slot, switch off the personal computer. Insert the PC card with the surface that bears its model name facing upward. If the personal computer has more than one slot, the PC card can be inserted into any slot.
- (3) Attach the cable to the unit to be used.
- (4) Switch on the personal computer power.
- (5) Switch on the power of the unit to be used.

The following diagram shows the connection setup for the RTE-V853-IE.



- Memo -



<p>PC Card Interface Instruction Manual</p> <p>Created on May 6, 1998. Rev2.0</p>	<p>M582MNL01</p>
--	------------------